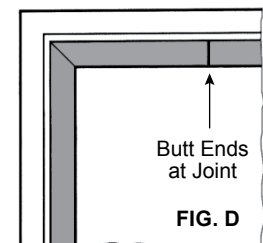
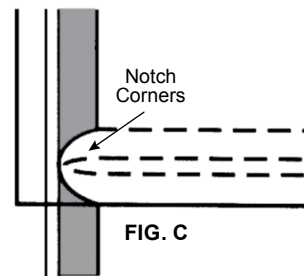
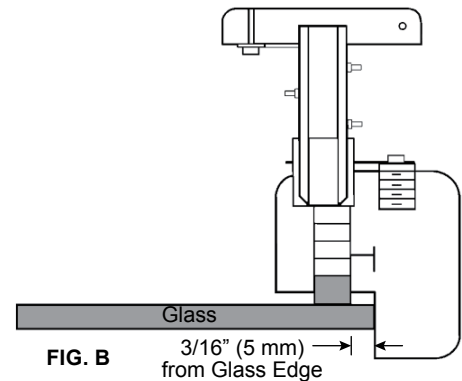
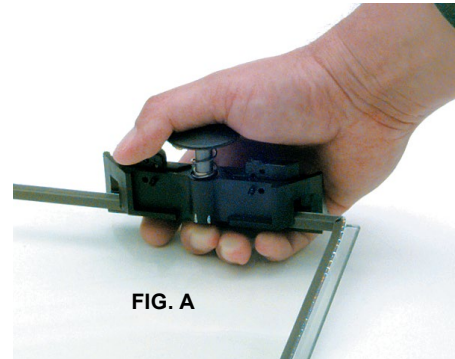


SSHN SUPER SPACER® HAND NOTCHER USER GUIDE

The **Cat. No. SSHN** Super Spacer® Hand Notcher is designed to speed up the manual application of Super Spacer®. It simplifies corner notching and assures constant placing of the foam spacer strip at a distance of 3/16" (5 mm) from the glass edge. Preferably, this hand tool is used in combination with a **Cat. No. LCS3084** Rotating Suction Cup Indexing Table.

APPLICATION METHOD

1. Insert Super Spacer® in bottom groove of the SSHN Hand Notcher with moisture barrier (shiny foil surface) facing outward from glass sheet.
2. Position Notcher near middle upper-side of glass lite.
3. Peel protective liner strip from bottom side of foam spacer so that the length of foam adhesive is sufficient to reach the corner.
4. Using the Hand Notcher, locate Super Spacer® at least 3/16" (5 mm) from glass edge. Using the overhang, gently press the Hand Notcher into position. Glide the Hand Notcher along the edge of the glass toward the corner. (**FIGS. A and B**)
5. At the first corner, use the spring loaded punch to cut out a semi-circular notch in the foam spacer. Remove the cut out piece and bend spacer around the corner. Care should be taken not to cut the moisture barrier foil on the back face of the foam spacer. (**FIG. C**)
6. Peel more protective liner from underside of Super Spacer® and, using the Hand Notcher, position Super Spacer® along the second glass edge.
7. Repeat steps 4 and 5 until all four sides have been completed.
8. At the junction between the two ends, gently lay the spacer over the first length. Make a clean right-angled cut through the back spacer with a razor blade using the front spacer as a guide. For best results, slightly compress the final spacer length into the beginning length so that the end butt joint will be virtually invisible after repositioning the final spacer length. (**FIG. D**)
9. Strip protective liner off top spacer sides and, using locating pegs or fences as necessary, place and match a second glass lite. To wet out adhesive, firmly press both glass sheets by hand on all four edges. The assembled unit is now ready for Hot Melt Butyl Sealant or 877 Sealant application.



NOTE: CRL Super Spacer® contains desiccant and should not be left exposed to the atmosphere for any length of time. Unused material should be repacked in the foil bag then placed in a ziplock bag or other airtight container.



Phone: (800) 262-5151 • Fax: (866) 262-3299 • crlaurence.com • usalum.com • crl-arch.com

11M0422_2-3-20