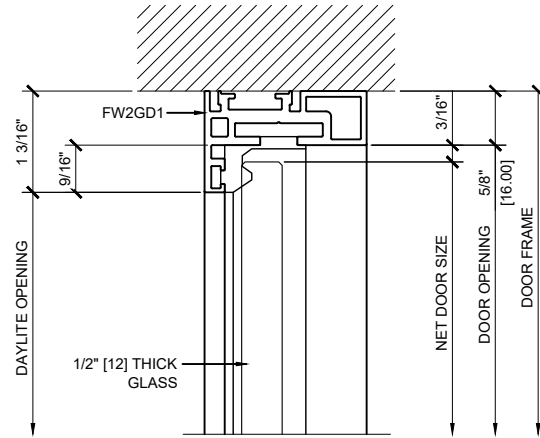
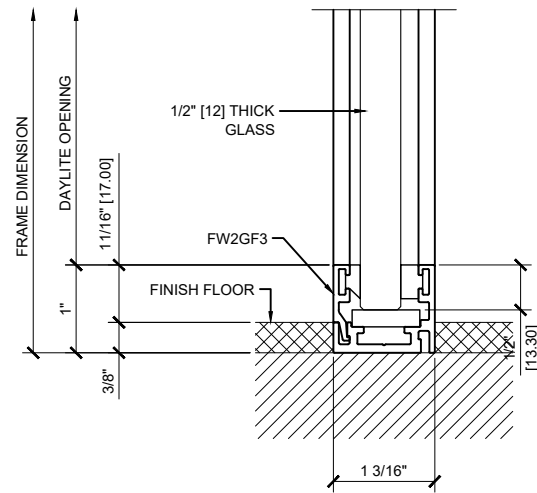


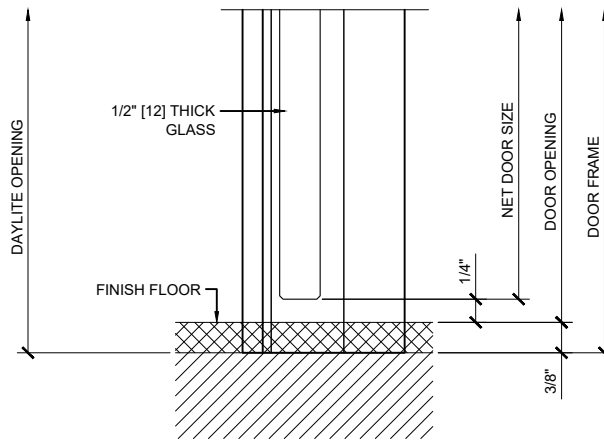
① SIDELITE HEAD DETAIL  
 ARCH REF: NONE 1'-0"=1'-0"



③ SWING IN DOOR HEAD DETAIL  
 ARCH REF: NONE 1'-0"=1'-0"

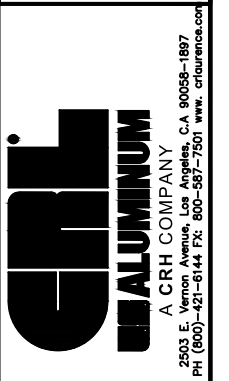


② SIDELITE SILL DETAIL  
 ARCH REF: NONE 1'-0"=1'-0"



④ SWING IN DOOR SILL DETAIL  
 ARCH REF: NONE 1'-0"=1'-0"

Revisions By:

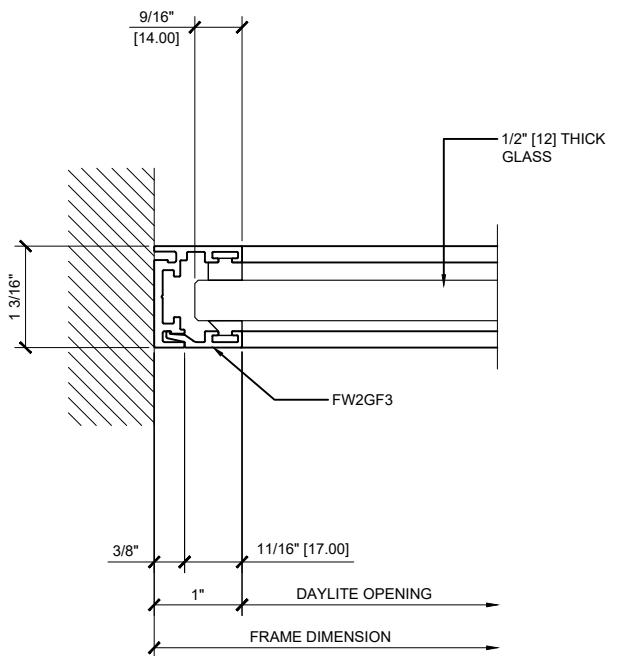


Description:  
 FALLBROOK SERIES  
 OFFICE FRONT  
 SYSTEM

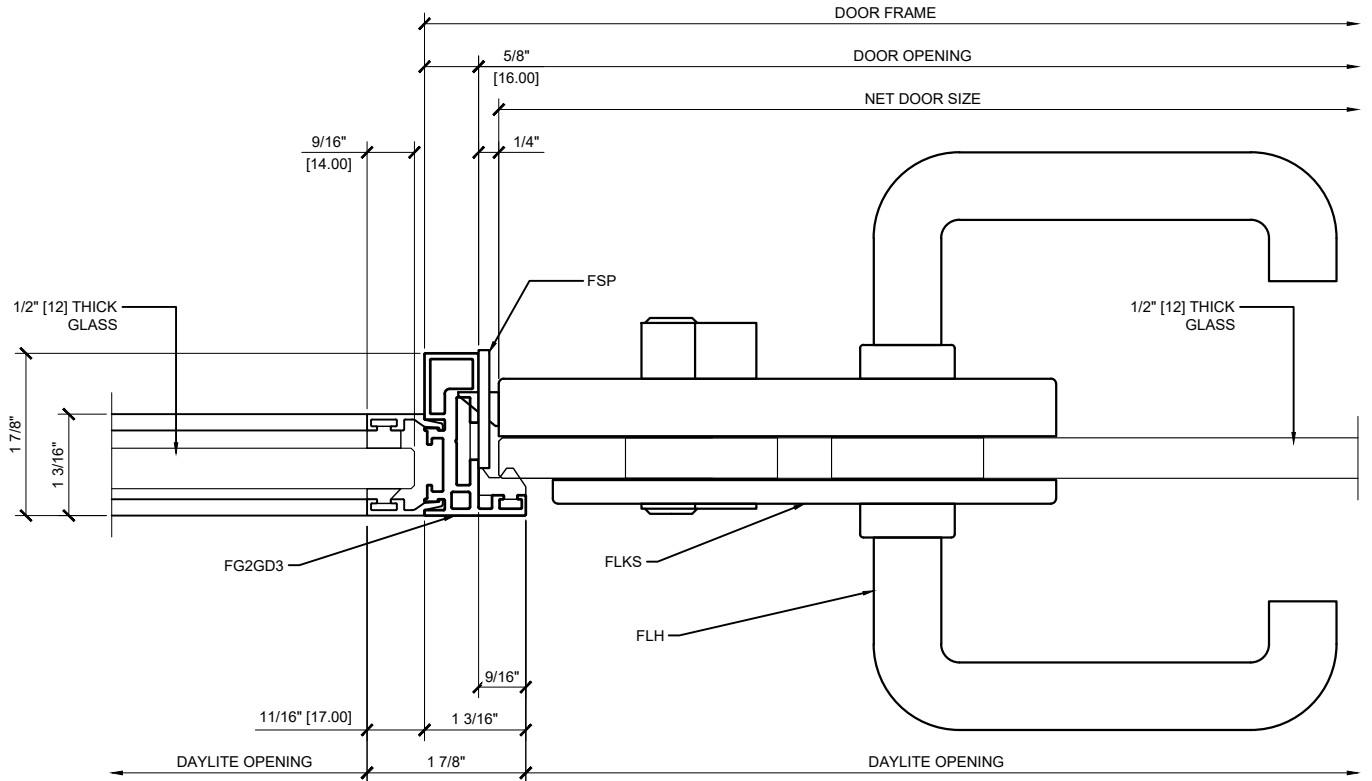
Drawn By:  
 Date: 2/5/19  
 Scale: NA  
 File Name:  
 SYS0102A\_FALLBROOK OFFICE FRONT

Sheet

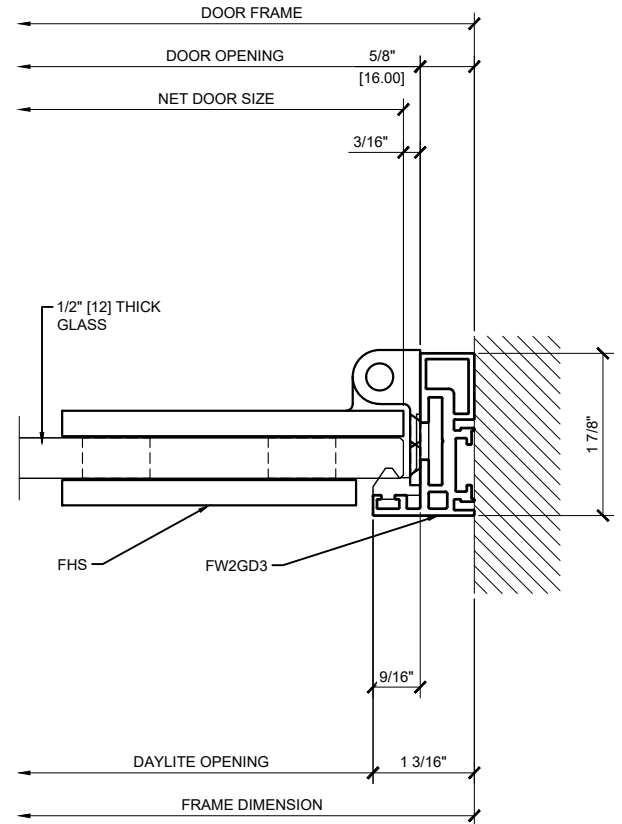
2.01



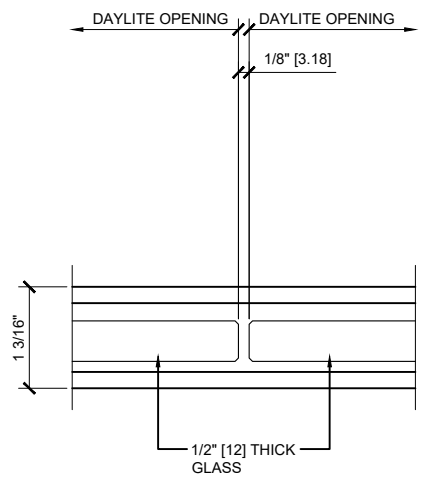
① SIDELITE JAMB DETAIL  
ARCH REF: NONE 1'-0"=1'-0"



③ SIDELITE / SWING IN DOOR JAMB DETAIL  
ARCH REF: NONE 1'-0"=1'-0"

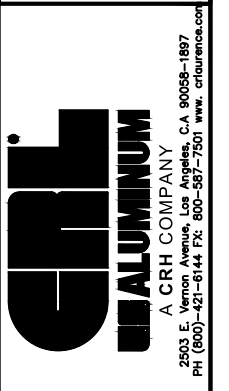


④ SWING IN DOOR JAMB DETAIL  
ARCH REF: NONE 1'-0"=1'-0"



② SIDELITE GLASS JOINT DETAIL  
ARCH REF: NONE 1'-0"=1'-0"

Revisions By:



Description:  
FALLBROOK SERIES  
OFFICE FRONT  
SYSTEM

Drawn By:  
Date: 2/5/19  
Scale: NA  
File Name:  
SYS0102A\_FALLBROOK OFFICE FRONT

Sheet  
3.01