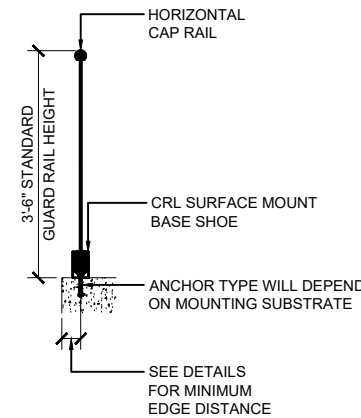
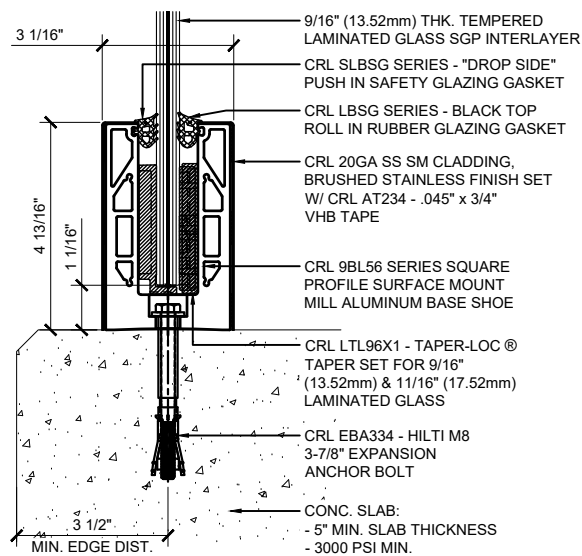


TYPICAL GRS LAMINATED GLASS RAILING ELEVATION VIEW - SURFACE MOUNT



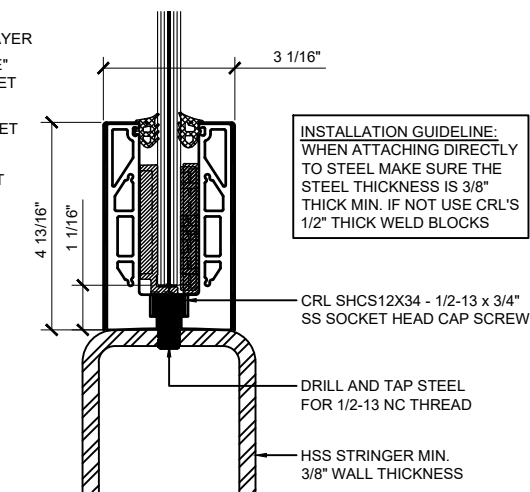
TYPICAL GRS LAMINATED GLASS RAILING ELEVATION VIEW - FASCIA MOUNT

TYPICAL BASE SHOE ATTACHMENTS USING THE 9BL56 SERIES BASE SHOE WITH TAPER-LOC® SYSTEM



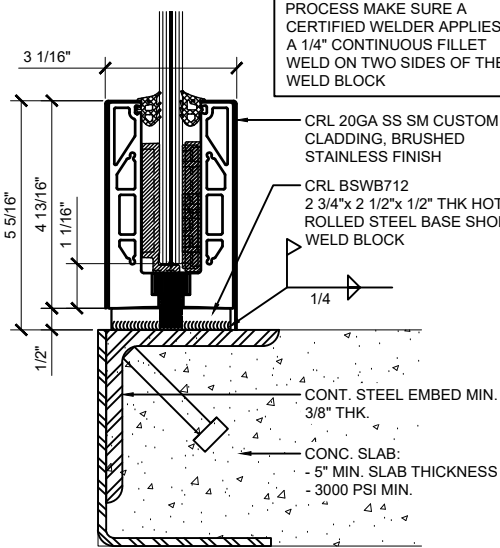
SURFACE MOUNT DETAIL CONCRETE SUBSTRATE

ANCHOR SPACING WILL DEPEND ON MOUNTING SUBSTRATE AND REGION OF PROJECT  
12\"/>



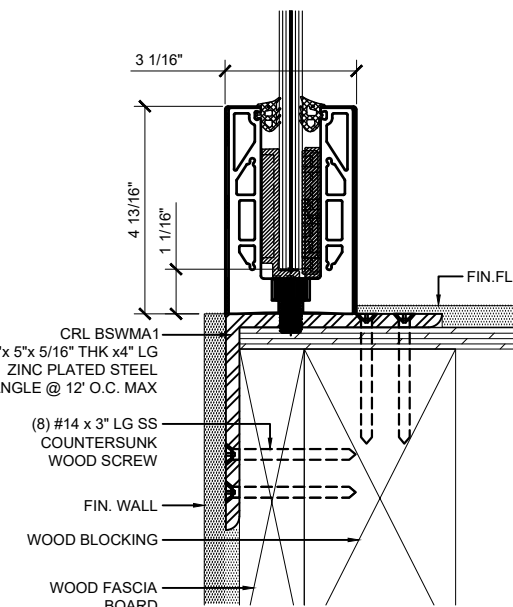
SURFACE MOUNT DETAIL STEEL SUBSTRATE

12\"/>



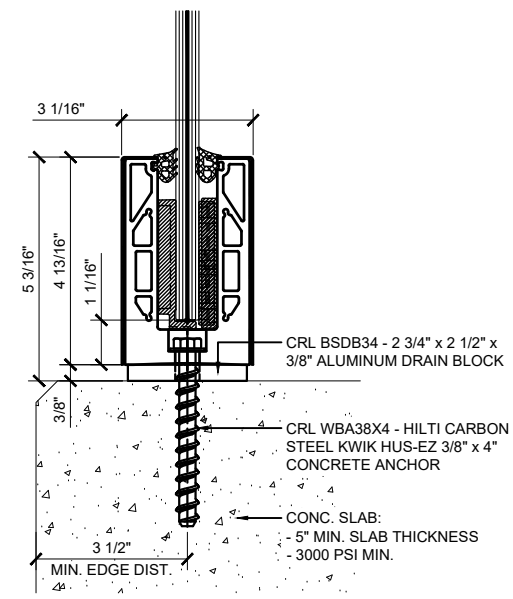
SURFACE MOUNT DETAIL STEEL SUBSTRATE W/ WELD BLOCK

12\"/>



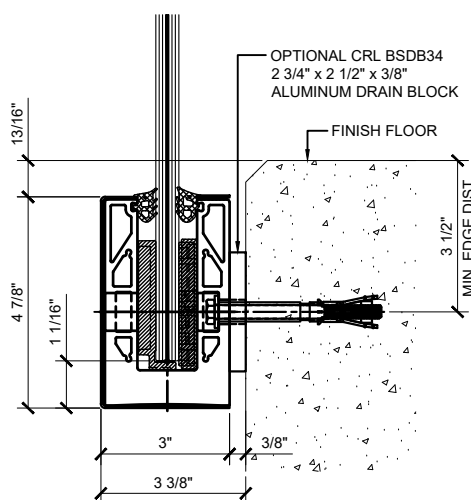
SURFACE MOUNT DETAIL WOOD SUBSTRATE

12\"/>



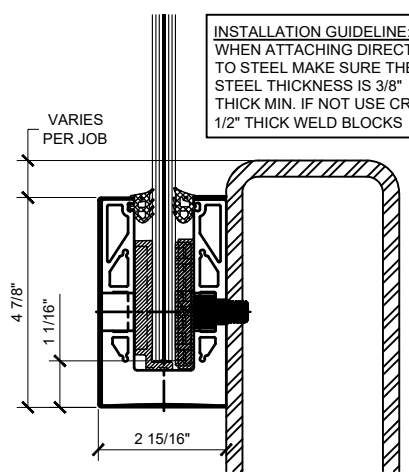
SURFACE MOUNT DETAIL CONCRETE SUBSTRATE W/ DRAIN BLOCK

ANCHOR SPACING WILL DEPEND ON MOUNTING SUBSTRATE AND REGION OF PROJECT  
12\"/>



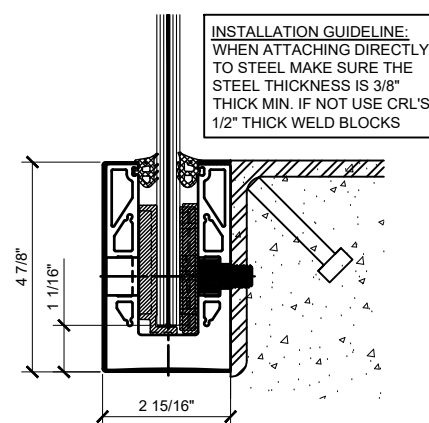
FASCIA MOUNT DETAIL CONCRETE SUBSTRATE

ANCHOR SPACING WILL DEPEND ON MOUNTING SUBSTRATE AND REGION OF PROJECT  
12\"/>



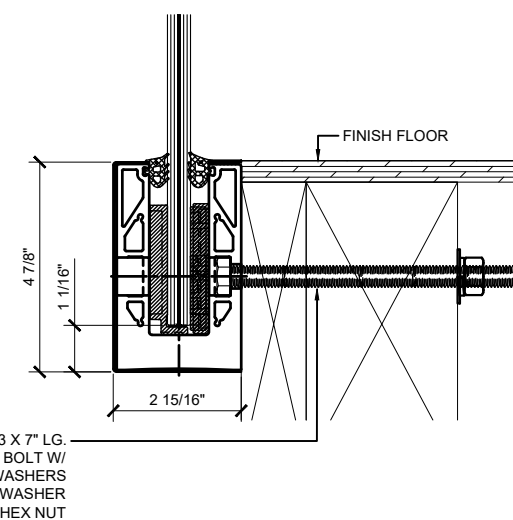
FASCIA MOUNT DETAIL STEEL SUBSTRATE

12\"/>



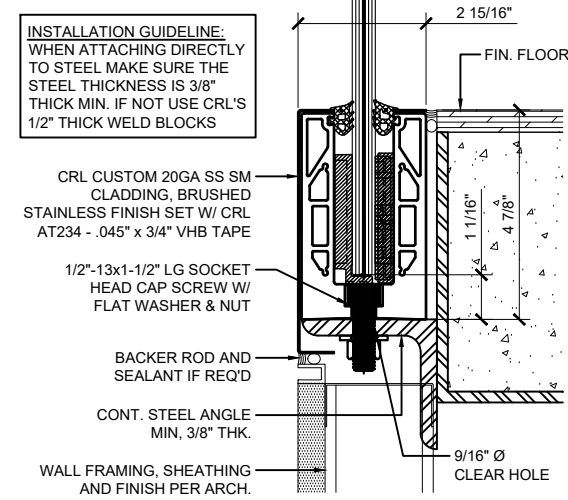
FASCIA MOUNT DETAIL STEEL SUBSTRATE

12\"/>



FASCIA MOUNT DETAIL WOOD SUBSTRATE

ANCHOR SPACING WILL DEPEND ON MOUNTING SUBSTRATE AND REGION OF PROJECT  
12\"/>



SURFACE MOUNT DETAIL STEEL SUBSTRATE W/ CUSTOM CLADDING

12\"/>

INSTALLATION GUIDELINE:  
DURING THE INSTALLATION PROCESS MAKE SURE A CERTIFIED WELDER APPLIES A 1/4\"/>

INSTALLATION GUIDELINE:  
WHEN ATTACHING DIRECTLY TO STEEL MAKE SURE THE STEEL THICKNESS IS 3/8\"/>

INSTALLATION GUIDELINE:  
WHEN ATTACHING DIRECTLY TO STEEL MAKE SURE THE STEEL THICKNESS IS 3/8\"/>

INSTALLATION GUIDELINE:  
WHEN ATTACHING DIRECTLY TO STEEL MAKE SURE THE STEEL THICKNESS IS 3/8\"/>

INSTALLATION GUIDELINE:  
WHEN ATTACHING DIRECTLY TO STEEL MAKE SURE THE STEEL THICKNESS IS 3/8\"/>

Revisions By:

5	-	-
4	-	-
3	-	-
2	-	-
1	-	-

C.R. LAURENCE CO. ARCHITECTURAL PRODUCTS  
2509 E. Vernon Avenue, Los Angeles, CA 90058-1897  
PH: (800) 421-6144 FX: (800) 857-5700 www.crlaurence.com

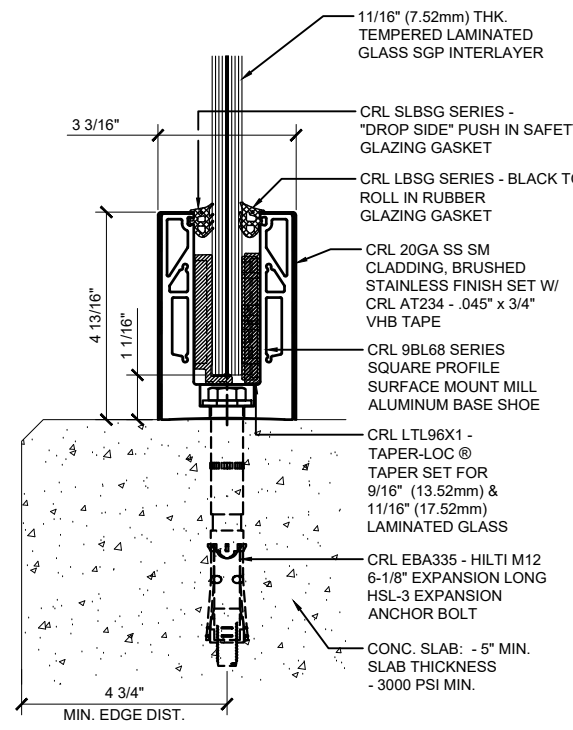
ICG ESR ESR-3842

GRS  
Description: GLASS RAILING SYSTEM FOR TEMPERED LAMINATED 9/16\"/>

ELEVATIONS AND DETAILS  
SURFACE MOUNT AND FASCIA MOUNT OPTIONS

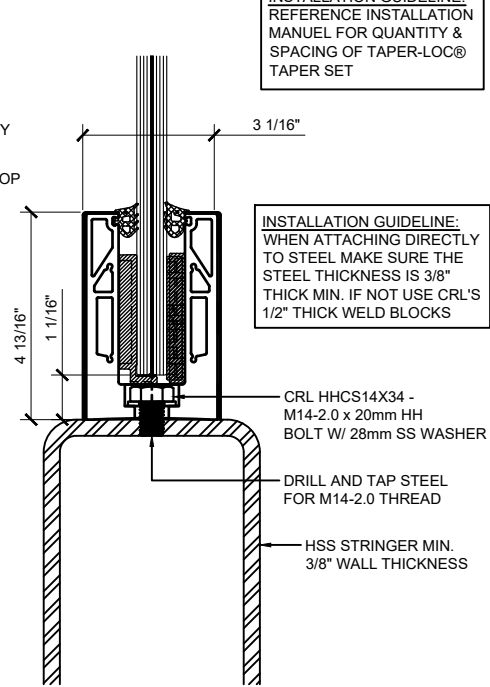
Drawn By: JG  
Date: 02/08/2016  
Scale: AS NOTED  
File Name: CRL GRS Laminated Glass Railing System.dwg

TYPICAL BASE SHOE ATTACHMENTS USING THE 9BL68 SERIES BASE SHOE WITH TAPER-LOC® SYSTEM



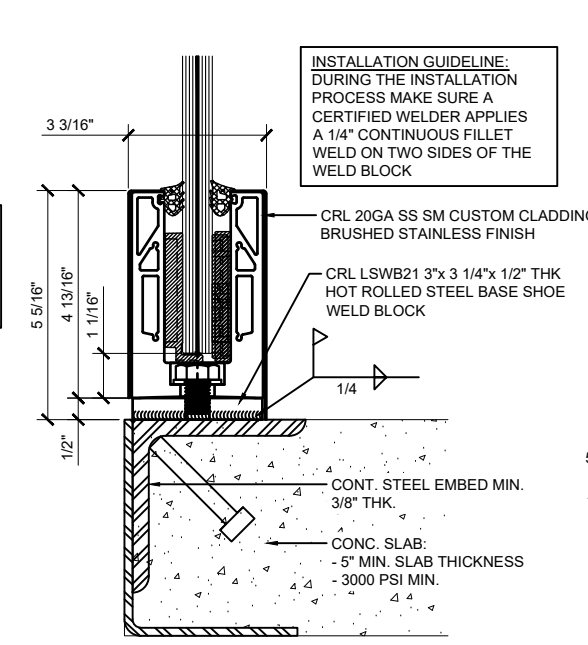
**SURFACE MOUNT DETAIL  
CONCRETE SUBSTRATE**

ANCHOR SPACING WILL DEPEND ON MOUNTING SUBSTRATE AND REGION OF PROJECT  
12" O.C. SPACING IS STANDARD



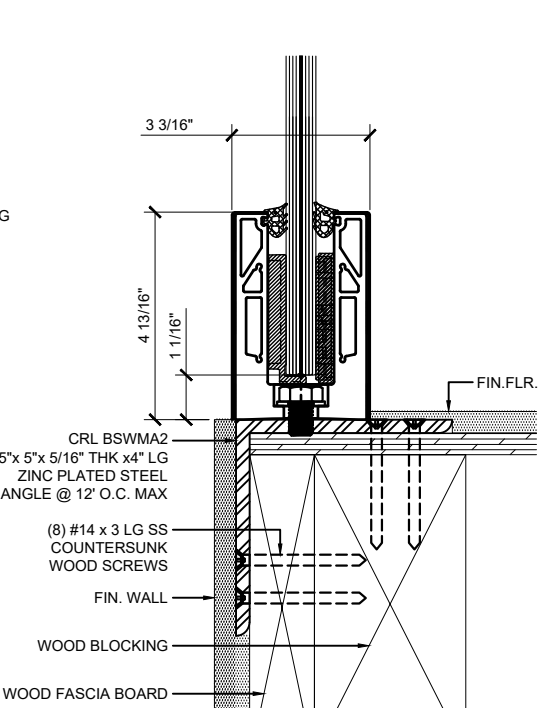
**SURFACE MOUNT DETAIL  
STEEL SUBSTRATE**

12" ON CENTER ANCHOR SPACING



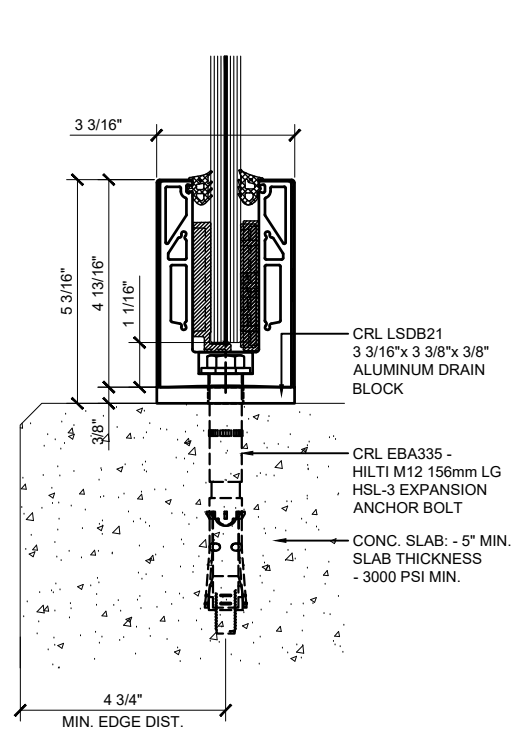
**SURFACE MOUNT DETAIL  
STEEL SUBSTRATE W/ WELD BLOCK**

12" ON CENTER ANCHOR SPACING



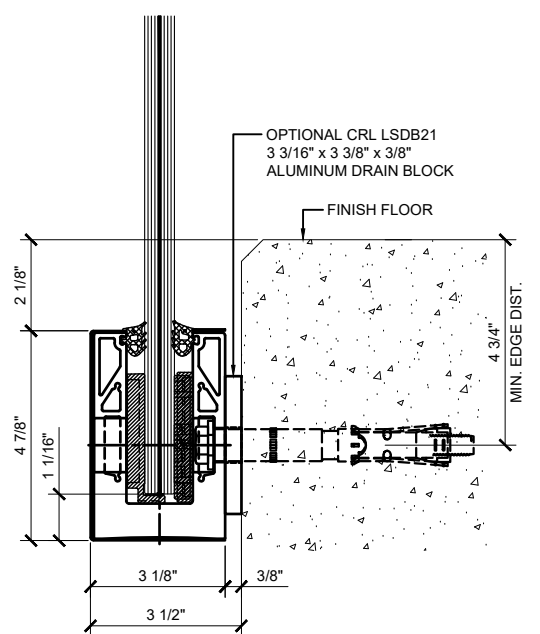
**SURFACE MOUNT DETAIL  
WOOD SUBSTRATE**

12" ON CENTER ANCHOR SPACING



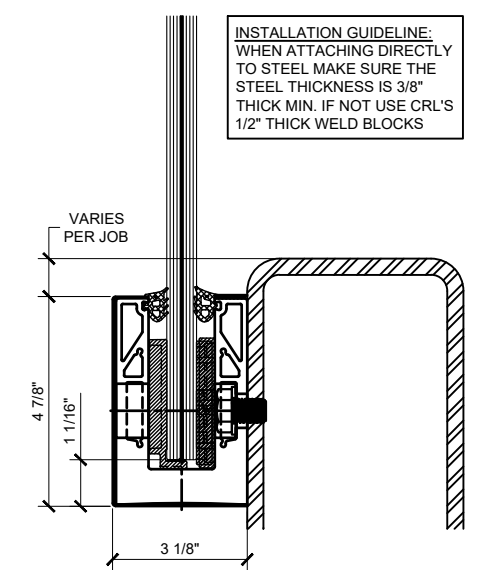
**SURFACE MOUNT DETAIL  
CONCRETE SUBSTRATE W/ DRAIN BLOCK**

ANCHOR SPACING WILL DEPEND ON MOUNTING SUBSTRATE AND REGION OF PROJECT  
12" O.C. SPACING IS STANDARD



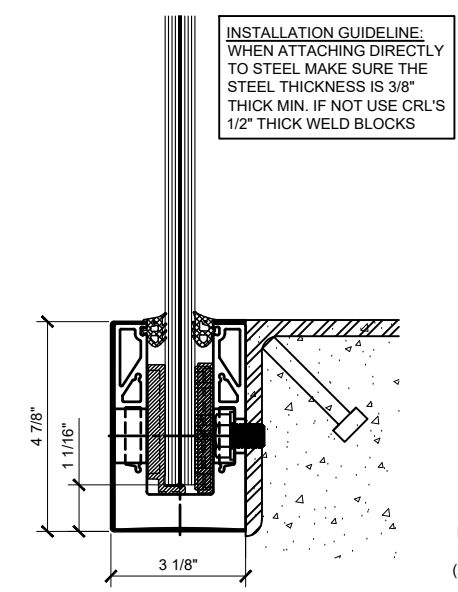
**FASCIA MOUNT DETAIL  
CONCRETE SUBSTRATE**

ANCHOR SPACING WILL DEPEND ON MOUNTING SUBSTRATE AND REGION OF PROJECT  
12" O.C. SPACING IS STANDARD



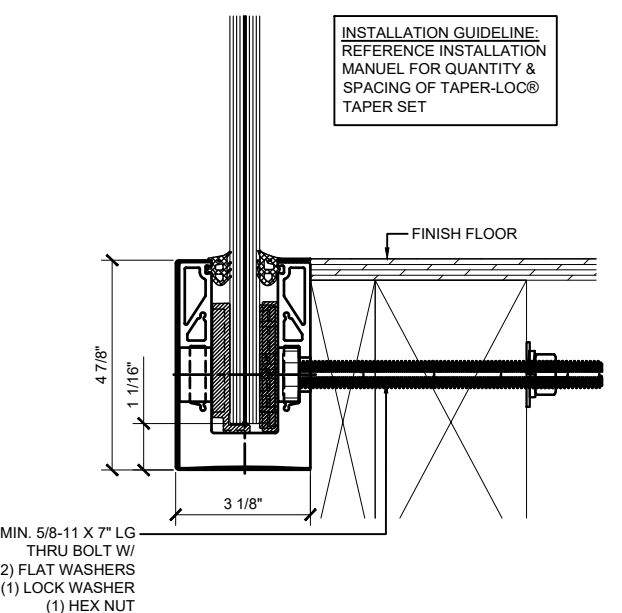
**FASCIA MOUNT DETAIL  
STEEL SUBSTRATE**

12" ON CENTER ANCHOR SPACING



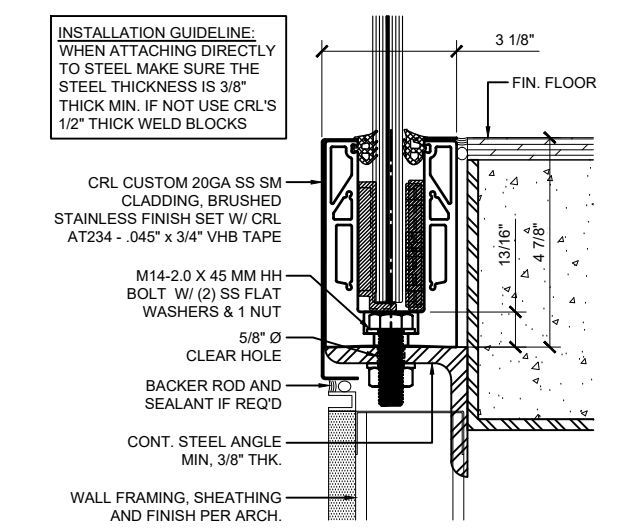
**FASCIA MOUNT DETAIL  
STEEL SUBSTRATE**

12" ON CENTER ANCHOR SPACING



**FASCIA MOUNT DETAIL  
WOOD SUBSTRATE**

ANCHOR SPACING WILL DEPEND ON MOUNTING SUBSTRATE AND REGION OF PROJECT  
12" O.C. SPACING IS STANDARD



**SURFACE MOUNT DETAIL  
STEEL SUBSTRATE W/ CUSTOM CLADDING**

12" ON CENTER ANCHOR SPACING

Revisions By:

5	-	-
4	-	-
3	-	-
2	-	-
1	-	-

**CRL ALUMINUM**  
C.R. LAURENCE CO. ARCHITECTURAL PRODUCTS  
2503 E. Vernon Avenue, Los Angeles, CA 90008-1897  
PH: (800) 421-6144 FX: (800) 857-7501 www.crlaurence.com

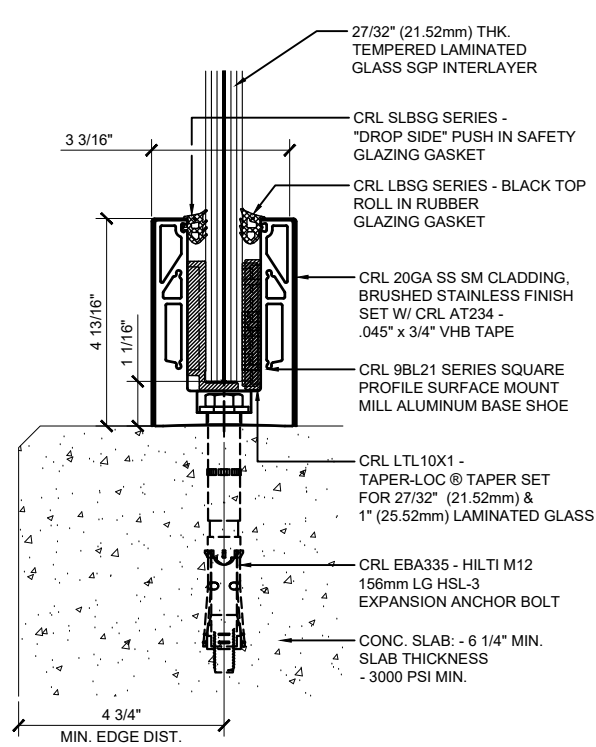
**ICG ESR** ESR-3842

**GRS**  
Description:  
GLASS RAILING SYSTEM  
FOR TEMPERED LAMINATED  
9/16" (13.52mm), 1 1/16" (17.52mm),  
27/32" (21.52mm) & 1 1/16" (25.52mm)  
THK. GLASS

**BASE SHOE OPTIONS  
SURFACE & FASCIA MOUNT**

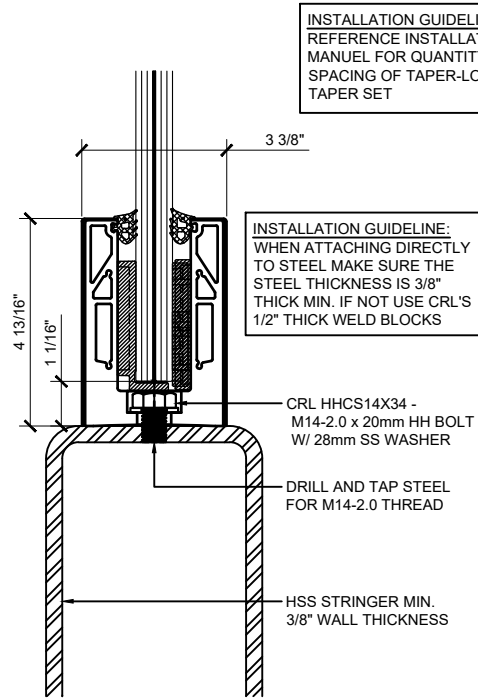
Drawn By: JG  
Date: 02/08/2016  
Scale: AS NOTED  
File Name:  
CRL\_GRS Laminated Glass Railing System.dwg

TYPICAL BASE SHOE ATTACHMENTS USING THE 9BL21 SERIES BASE SHOE WITH TAPER-LOC® SYSTEM



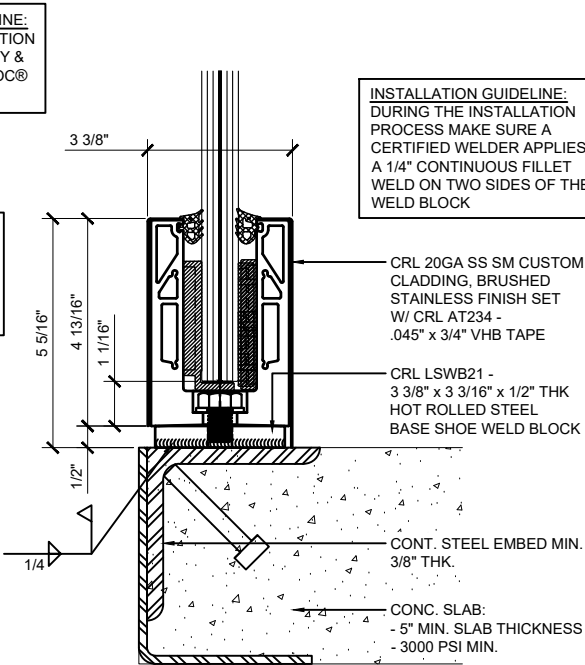
**SURFACE MOUNT DETAIL  
CONCRETE SUBSTRATE**

ANCHOR SPACING WILL DEPEND ON MOUNTING  
SUBSTRATE AND REGION OF PROJECT  
11 13/16" (300mm) O.C. IS STANDARD



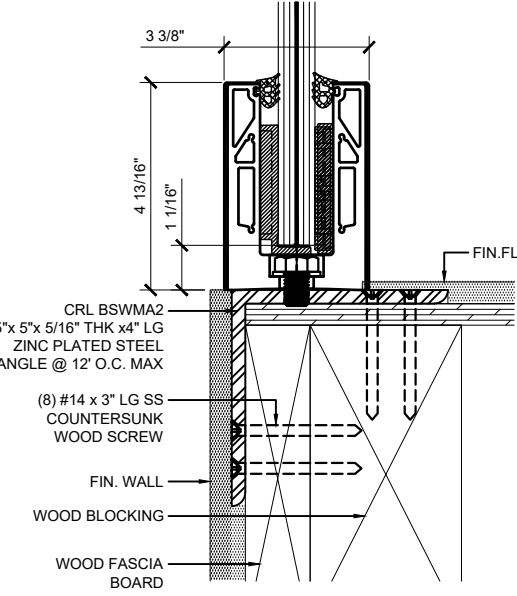
**SURFACE MOUNT DETAIL  
STEEL SUBSTRATE**

11 13/16" (300mm) ON CENTER ANCHOR SPACING



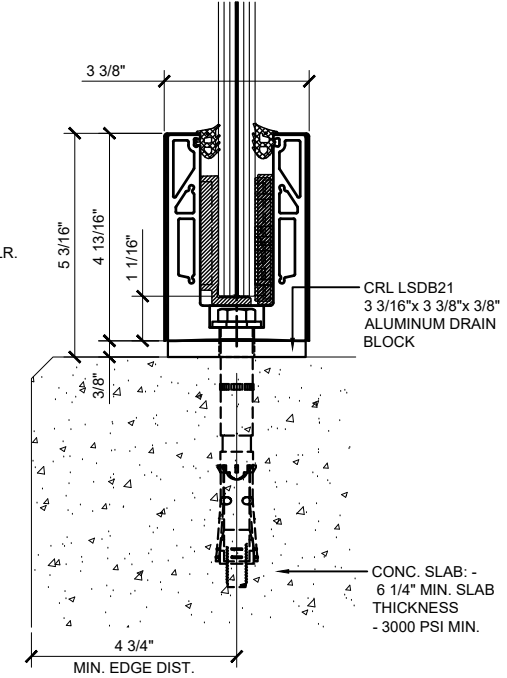
**SURFACE MOUNT DETAIL  
STEEL SUBSTRATE W/ WELD BLOCK**

11 13/16" (300mm) ON CENTER ANCHOR SPACING



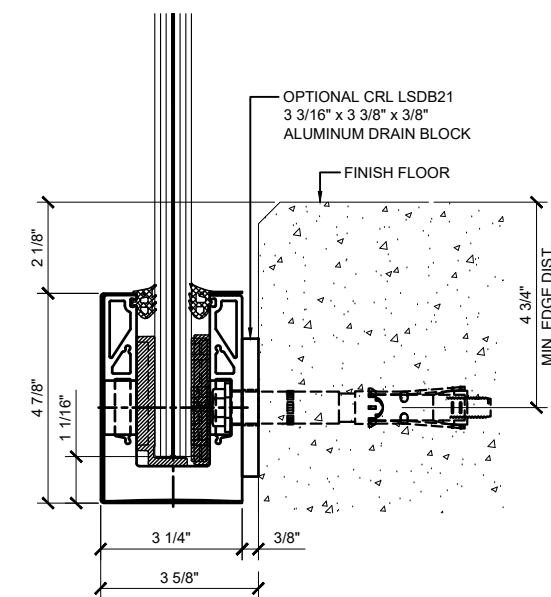
**SURFACE MOUNT DETAIL  
WOOD SUBSTRATE**

12" ON CENTER ANCHOR SPACING



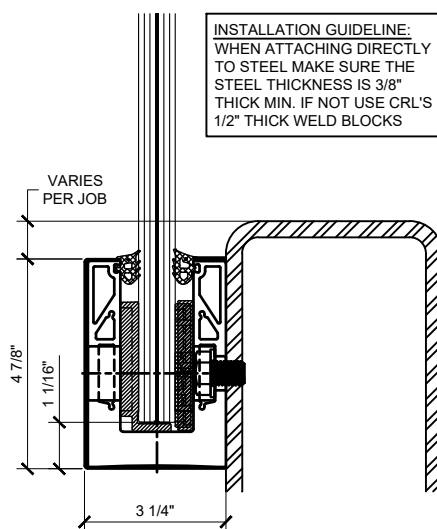
**SURFACE MOUNT DETAIL  
CONCRETE SUBSTRATE W/ DRAIN BLOCK**

ANCHOR SPACING WILL DEPEND ON MOUNTING  
SUBSTRATE AND REGION OF PROJECT  
11 13/16" (300mm) O.C. IS STANDARD



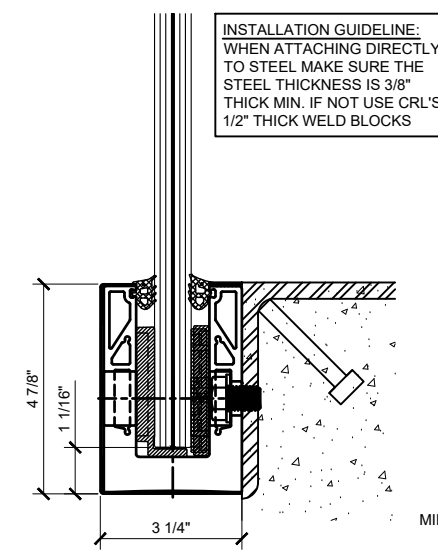
**FASCIA MOUNT DETAIL  
CONCRETE SUBSTRATE**

ANCHOR SPACING WILL DEPEND ON MOUNTING  
SUBSTRATE AND REGION OF PROJECT  
12" O.C. SPACING IS STANDARD



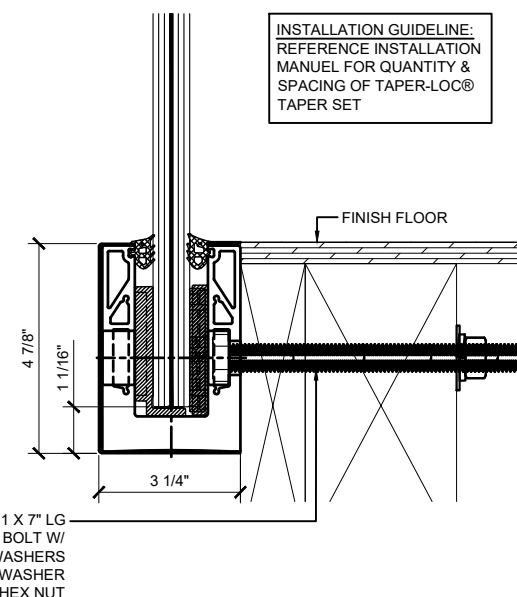
**FASCIA MOUNT DETAIL  
STEEL SUBSTRATE**

12" ON CENTER ANCHOR SPACING



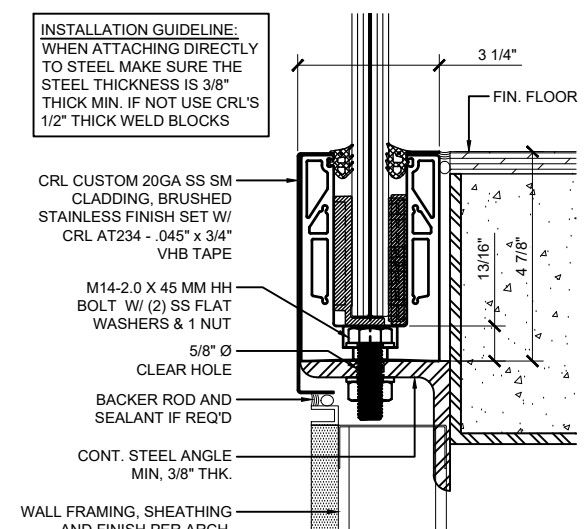
**FASCIA MOUNT DETAIL  
STEEL SUBSTRATE**

12" ON CENTER ANCHOR SPACING



**FASCIA MOUNT DETAIL  
WOOD SUBSTRATE**

ANCHOR SPACING WILL DEPEND ON MOUNTING  
SUBSTRATE AND REGION OF PROJECT  
12" O.C. SPACING IS STANDARD



**SURFACE MOUNT DETAIL  
STEEL SUBSTRATE W/ CUSTOM CLADDING**

12" ON CENTER ANCHOR SPACING

INSTALLATION GUIDELINE:  
REFERENCE INSTALLATION  
MANUAL FOR QUANTITY &  
SPACING OF TAPER-LOC®  
TAPER SET

INSTALLATION GUIDELINE:  
WHEN ATTACHING DIRECTLY  
TO STEEL MAKE SURE THE  
STEEL THICKNESS IS 3/8"  
THICK MIN. IF NOT USE CRL'S  
1/2" THICK WELD BLOCKS

INSTALLATION GUIDELINE:  
DURING THE INSTALLATION  
PROCESS MAKE SURE A  
CERTIFIED WELDER APPLIES  
A 1/4" CONTINUOUS FILLET  
WELD ON TWO SIDES OF THE  
WELD BLOCK

INSTALLATION GUIDELINE:  
WHEN ATTACHING DIRECTLY  
TO STEEL MAKE SURE THE  
STEEL THICKNESS IS 3/8"  
THICK MIN. IF NOT USE CRL'S  
1/2" THICK WELD BLOCKS

INSTALLATION GUIDELINE:  
WHEN ATTACHING DIRECTLY  
TO STEEL MAKE SURE THE  
STEEL THICKNESS IS 3/8"  
THICK MIN. IF NOT USE CRL'S  
1/2" THICK WELD BLOCKS

INSTALLATION GUIDELINE:  
REFERENCE INSTALLATION  
MANUAL FOR QUANTITY &  
SPACING OF TAPER-LOC®  
TAPER SET

INSTALLATION GUIDELINE:  
WHEN ATTACHING DIRECTLY  
TO STEEL MAKE SURE THE  
STEEL THICKNESS IS 3/8"  
THICK MIN. IF NOT USE CRL'S  
1/2" THICK WELD BLOCKS

Revisions By:

5	-	-
4	-	-
3	-	-
2	-	-
1	-	-

C.R. LAURENCE CO. ARCHITECTURAL PRODUCTS  
2500 E. Verrill Avenue, Los Angeles, CA 90098-1897  
PH: (800) 421-6144 FX: (800) 857-7501 WWW: crlaurence.com

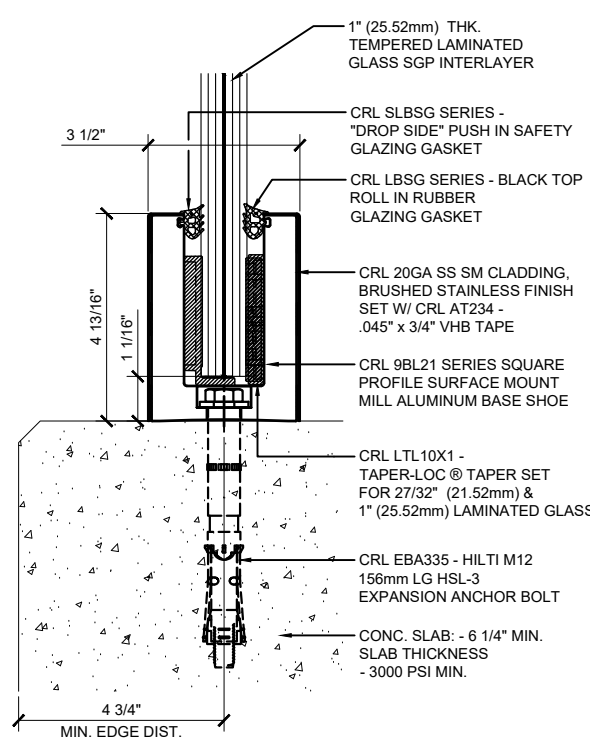
ICG ESR ESR-3842

Description:  
GRS  
GLASS RAILING SYSTEM  
FOR TEMPERED LAMINATED  
9/16" (13.52mm), 1 1/16" (17.52mm),  
27/32" (21.52mm) & 1 1/16" (25.52mm)  
THK. GLASS

ELEVATIONS AND DETAILS  
SURFACE MOUNT AND  
FASCIA MOUNT OPTIONS

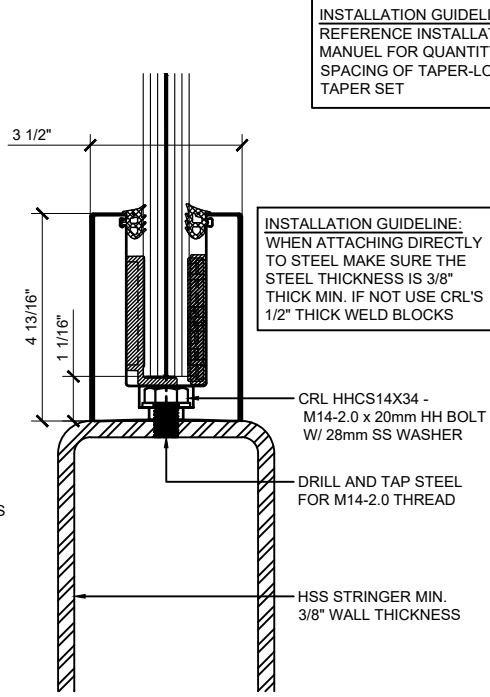
Drawn By: JG  
Date: 02/08/2016  
Scale: AS NOTED  
File Name:  
CRL\_GRS Laminated Glass Railing System.dwg

TYPICAL BASE SHOE ATTACHMENTS USING THE L25S SERIES BASE SHOE WITH TAPER-LOC® SYSTEM



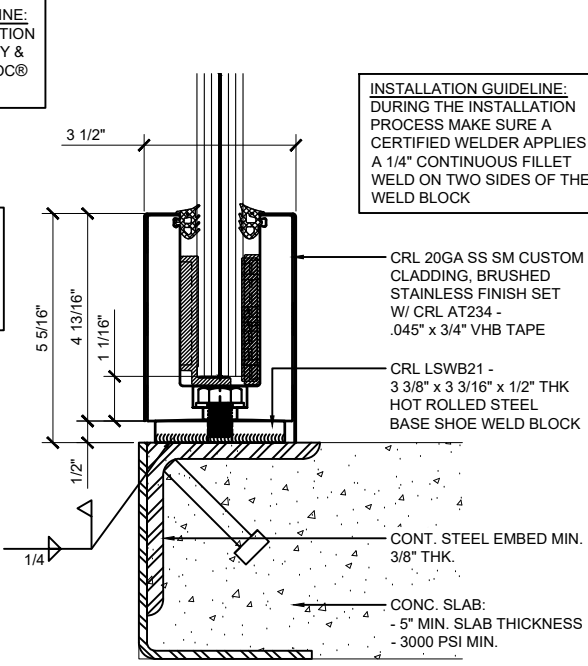
**SURFACE MOUNT DETAIL  
CONCRETE SUBSTRATE**

ANCHOR SPACING WILL DEPEND ON MOUNTING  
SUBSTRATE AND REGION OF PROJECT  
11 13/16" (300mm) O.C. IS STANDARD



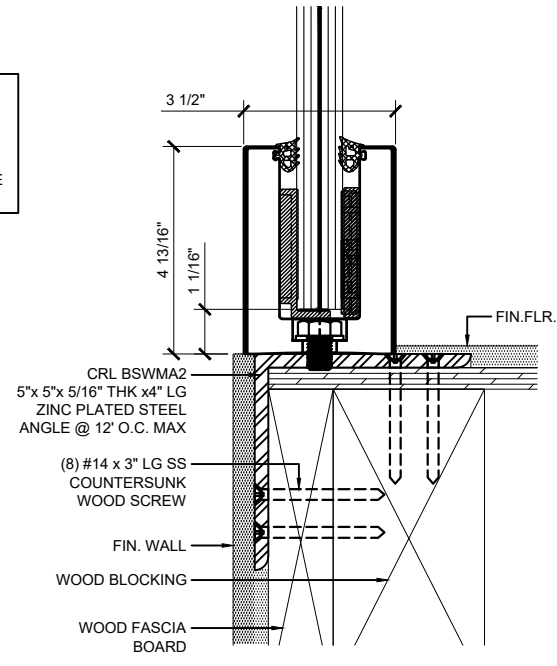
**SURFACE MOUNT DETAIL  
STEEL SUBSTRATE**

11 13/16" (300mm) ON CENTER ANCHOR SPACING



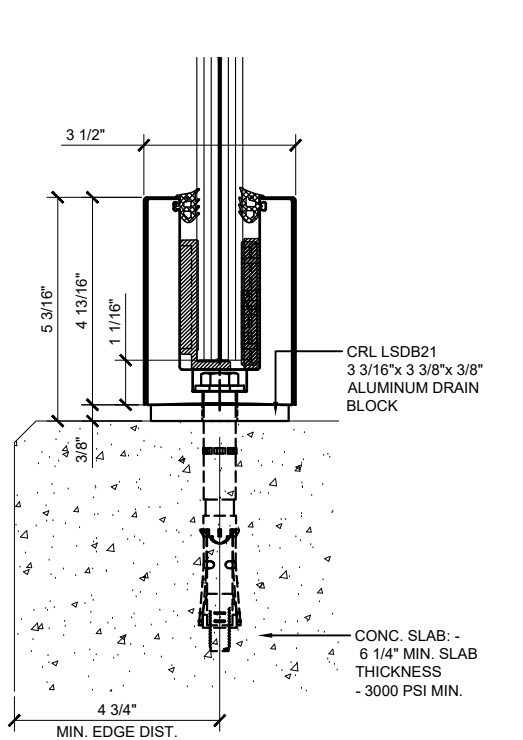
**SURFACE MOUNT DETAIL  
STEEL SUBSTRATE W/ WELD BLOCK**

11 13/16" (300mm) ON CENTER ANCHOR SPACING



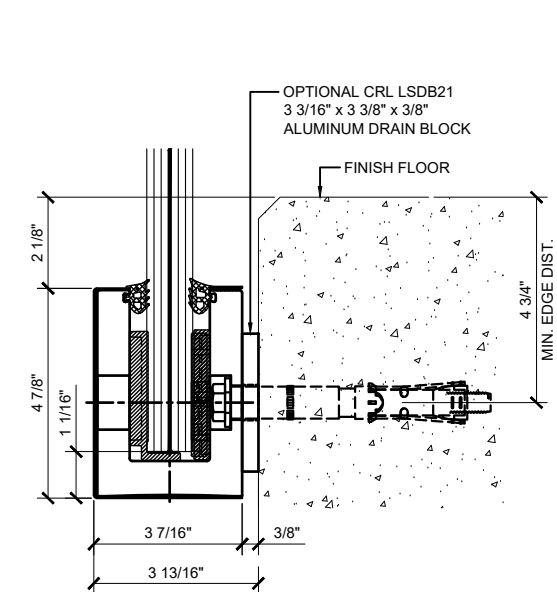
**SURFACE MOUNT DETAIL  
WOOD SUBSTRATE**

12" ON CENTER ANCHOR SPACING



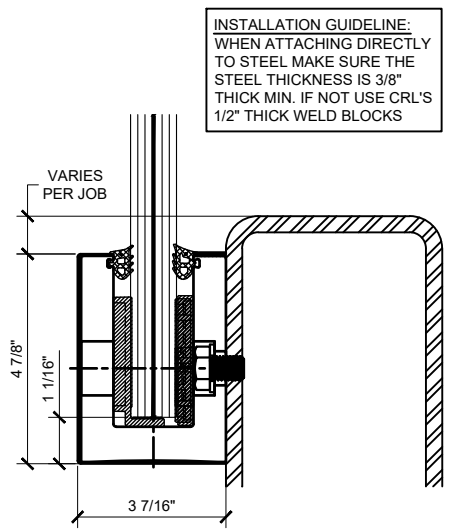
**SURFACE MOUNT DETAIL  
CONCRETE SUBSTRATE W/ DRAIN BLOCK**

ANCHOR SPACING WILL DEPEND ON MOUNTING  
SUBSTRATE AND REGION OF PROJECT  
11 13/16" (300mm) O.C. IS STANDARD



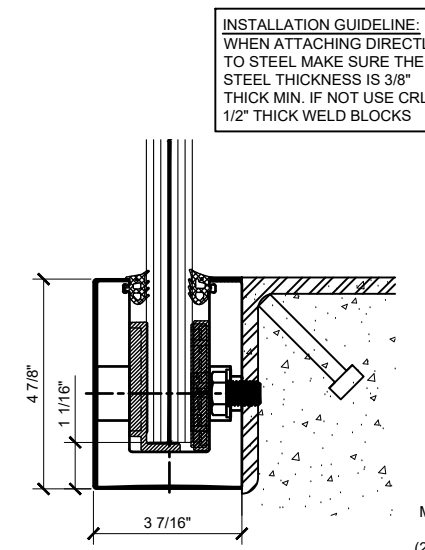
**FASCIA MOUNT DETAIL  
CONCRETE SUBSTRATE**

ANCHOR SPACING WILL DEPEND ON MOUNTING  
SUBSTRATE AND REGION OF PROJECT  
12" O.C. SPACING IS STANDARD



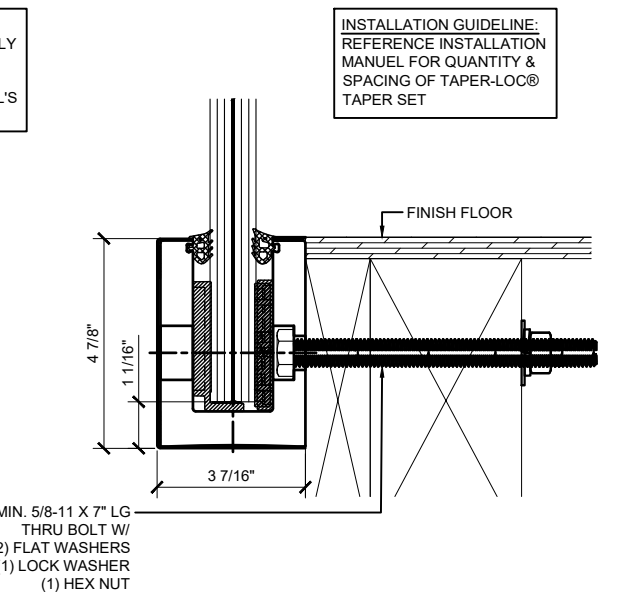
**FASCIA MOUNT DETAIL  
STEEL SUBSTRATE**

12" ON CENTER ANCHOR SPACING



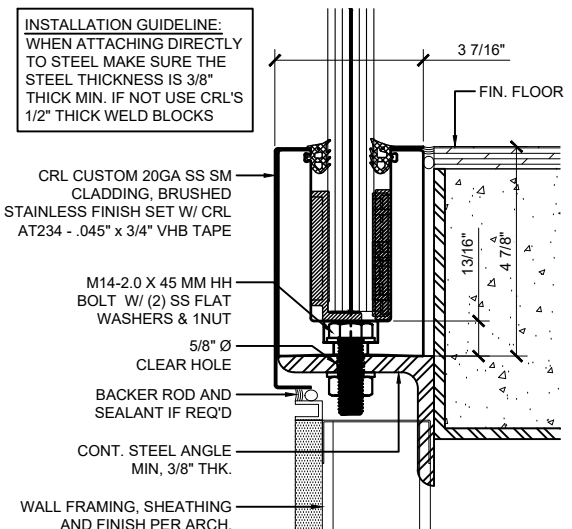
**FASCIA MOUNT DETAIL  
STEEL SUBSTRATE**

12" ON CENTER ANCHOR SPACING



**FASCIA MOUNT DETAIL  
WOOD SUBSTRATE**

ANCHOR SPACING WILL DEPEND ON MOUNTING  
SUBSTRATE AND REGION OF PROJECT  
12" O.C. SPACING IS STANDARD



**SURFACE MOUNT DETAIL  
STEEL SUBSTRATE W/ CUSTOM CLADDING**

12" ON CENTER ANCHOR SPACING

INSTALLATION GUIDELINE:  
REFERENCE INSTALLATION  
MANUAL FOR QUANTITY &  
SPACING OF TAPER-LOC®  
TAPER SET

INSTALLATION GUIDELINE:  
WHEN ATTACHING DIRECTLY  
TO STEEL MAKE SURE THE  
STEEL THICKNESS IS 3/8"  
THICK MIN. IF NOT USE CRL'S  
1/2" THICK WELD BLOCKS

INSTALLATION GUIDELINE:  
DURING THE INSTALLATION  
PROCESS MAKE SURE A  
CERTIFIED WELDER APPLIES  
A 1/4" CONTINUOUS FILLET  
WELD ON TWO SIDES OF THE  
WELD BLOCK

INSTALLATION GUIDELINE:  
WHEN ATTACHING DIRECTLY  
TO STEEL MAKE SURE THE  
STEEL THICKNESS IS 3/8"  
THICK MIN. IF NOT USE CRL'S  
1/2" THICK WELD BLOCKS

INSTALLATION GUIDELINE:  
WHEN ATTACHING DIRECTLY  
TO STEEL MAKE SURE THE  
STEEL THICKNESS IS 3/8"  
THICK MIN. IF NOT USE CRL'S  
1/2" THICK WELD BLOCKS

INSTALLATION GUIDELINE:  
REFERENCE INSTALLATION  
MANUAL FOR QUANTITY &  
SPACING OF TAPER-LOC®  
TAPER SET

INSTALLATION GUIDELINE:  
WHEN ATTACHING DIRECTLY  
TO STEEL MAKE SURE THE  
STEEL THICKNESS IS 3/8"  
THICK MIN. IF NOT USE CRL'S  
1/2" THICK WELD BLOCKS

Revisions By:

5	-	-
4	-	-
3	-	-
2	-	-
1	-	-

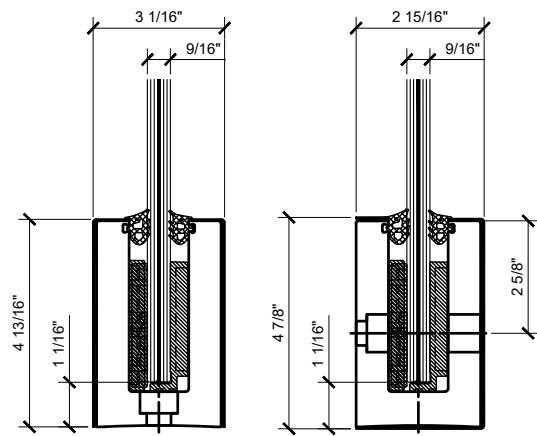
C.R. LAURENCE CO. ARCHITECTURAL PRODUCTS  
2503 E. Verrnon Avenue, Los Angeles, CA 90008-1897  
PH: (800) 421-6144 FX: (800) 857-7501 www.crlaurence.com

ICG ESR ESR-3842

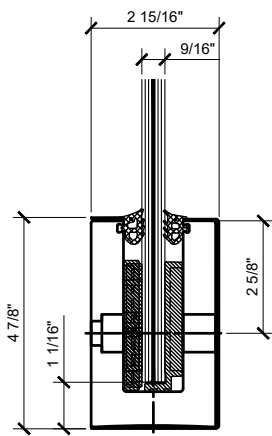
Description:  
GRS  
GLASS RAILING SYSTEM  
FOR TEMPERED LAMINATED  
9/16" (13.52mm), 1 1/16" (17.52mm),  
27/32" (21.52mm) & 1 1/16" (25.52mm)  
THK. GLASS

ELEVATIONS AND DETAILS  
SURFACE MOUNT AND  
FASCIA MOUNT OPTIONS

Drawn By: JG  
Date: 02/08/2016  
Scale: AS NOTED  
File Name:  
CRL\_GRS Laminated Glass Railing System.dwg



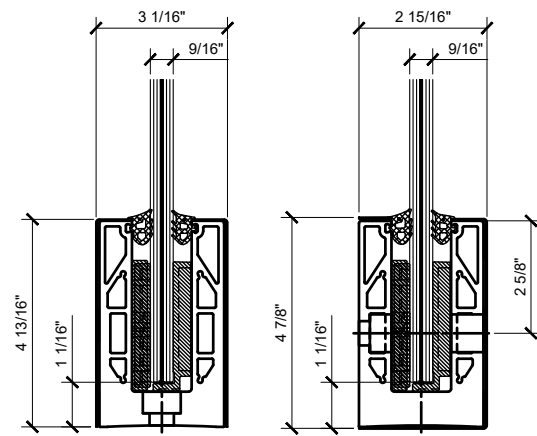
SURFACE MOUNT  
FOR 9/16" (13.52mm)  
LAMINATED GLASS SGP  
(6mm x 1.52mm x 6mm)



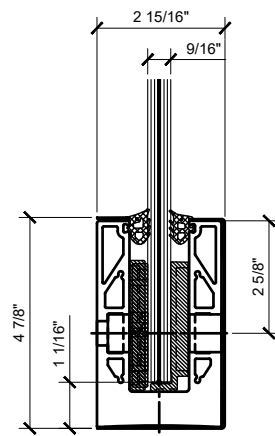
FASCIA MOUNT  
FOR 9/16" (13.52mm)  
LAMINATED GLASS SGP  
(6mm x 1.52mm x 6mm)

**L56S SERIES BASE SHOE**

LTL96X1 TAPER-LOC®



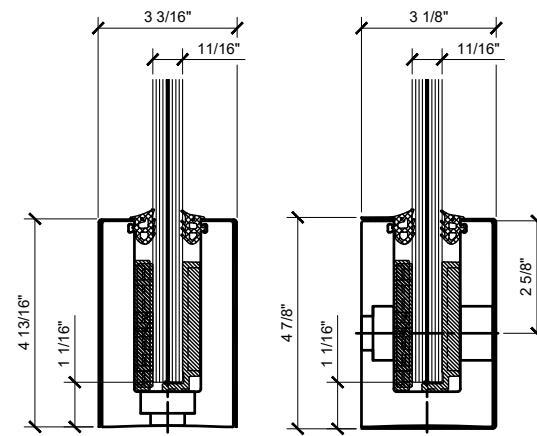
SURFACE MOUNT  
FOR 9/16" (13.52mm)  
LAMINATED GLASS SGP  
(6mm x 1.52mm x 6mm)



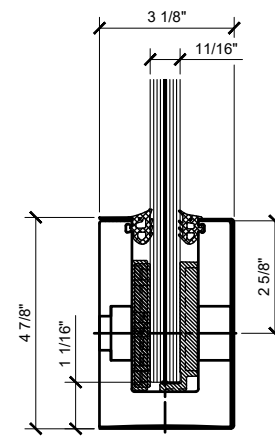
FASCIA MOUNT  
FOR 9/16" (13.52mm)  
LAMINATED GLASS SGP  
(6mm x 1.52mm x 6mm)

**9BL56 SERIES BASE SHOE**

LTL96X1 TAPER-LOC®



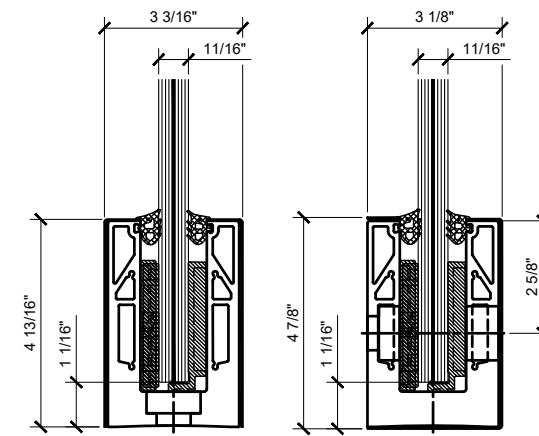
SURFACE MOUNT  
FOR 11/16" (17.52mm)  
LAMINATED GLASS SGP  
(8mm x 1.52mm x 8mm)



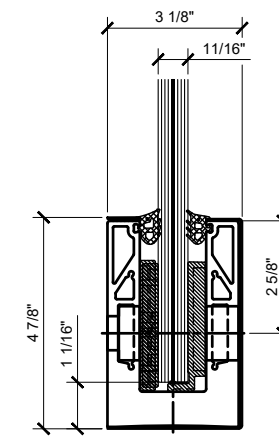
FASCIA MOUNT  
FOR 11/16" (17.52mm)  
LAMINATED GLASS SGP  
(8mm x 1.52mm x 8mm)

**L68S SERIES BASE SHOE**

LTL96X1 TAPER-LOC®



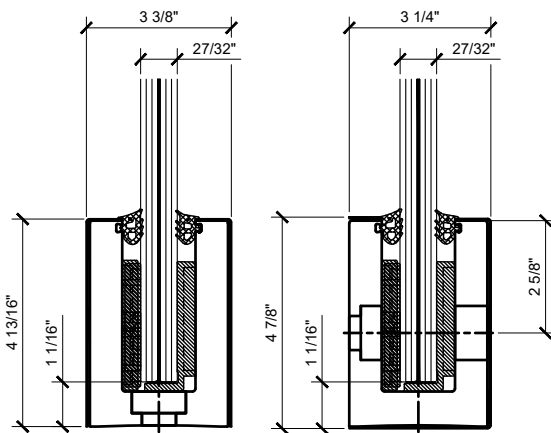
SURFACE MOUNT  
FOR 11/16" (17.52mm)  
LAMINATED GLASS SGP  
(8mm x 1.52mm x 8mm)



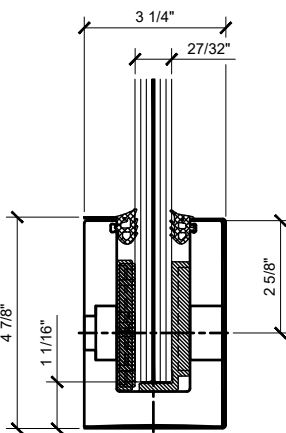
FASCIA MOUNT  
FOR 11/16" (17.52mm)  
LAMINATED GLASS SGP  
(8mm x 1.52mm x 8mm)

**9BL68 SERIES BASE SHOE**

LTL96X1 TAPER-LOC®



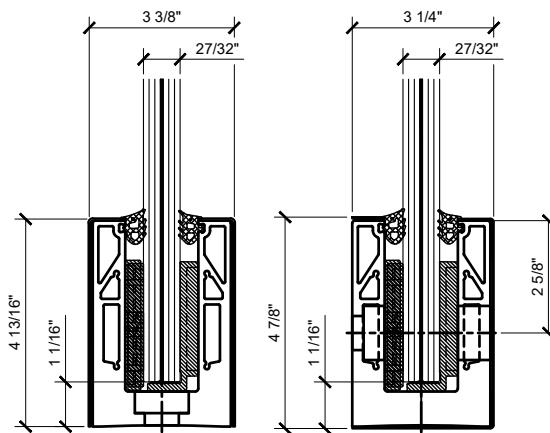
SURFACE MOUNT  
FOR 27/32" (21.52mm)  
LAMINATED GLASS SGP  
(10mm x 1.52mm x 10mm)



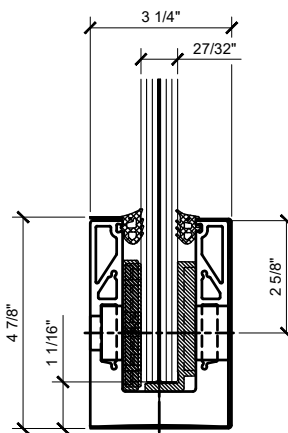
FASCIA MOUNT  
FOR 27/32" (21.52mm)  
LAMINATED GLASS SGP  
(10mm x 1.52mm x 10mm)

**L21S SERIES BASE SHOE**

LTL10X1 TAPER-LOC®



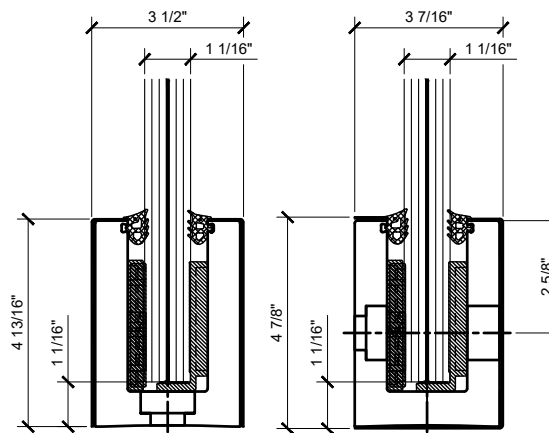
SURFACE MOUNT  
FOR 27/32" (21.52mm)  
LAMINATED GLASS SGP  
(10mm x 1.52mm x 10mm)



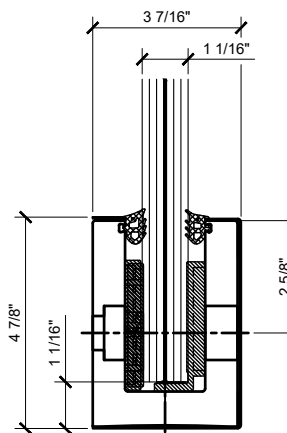
FASCIA MOUNT  
FOR 27/32" (21.52mm)  
LAMINATED GLASS SGP  
(10mm x 1.52mm x 10mm)

**9BL21 SERIES BASE SHOE**

LTL10X1 TAPER-LOC®



SURFACE MOUNT  
FOR 1 1/16" (25.52mm)  
LAMINATED GLASS SGP  
(12mm x 1.52mm x 12mm)



FASCIA MOUNT  
FOR 1 1/16" (25.52mm)  
LAMINATED GLASS SGP  
(12mm x 1.52mm x 12mm)

**L25S SERIES BASE SHOE**

LTL10X1 TAPER-LOC®

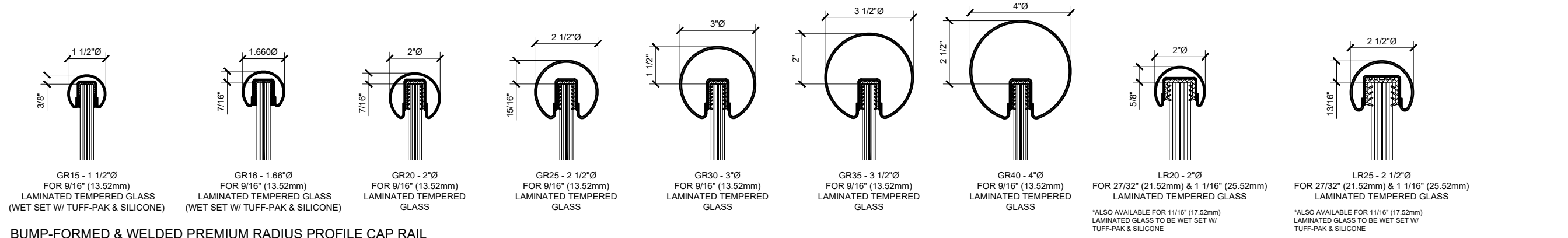
Revisions By:

5	-	-
4	-	-
3	-	-
2	-	-
1	-	-

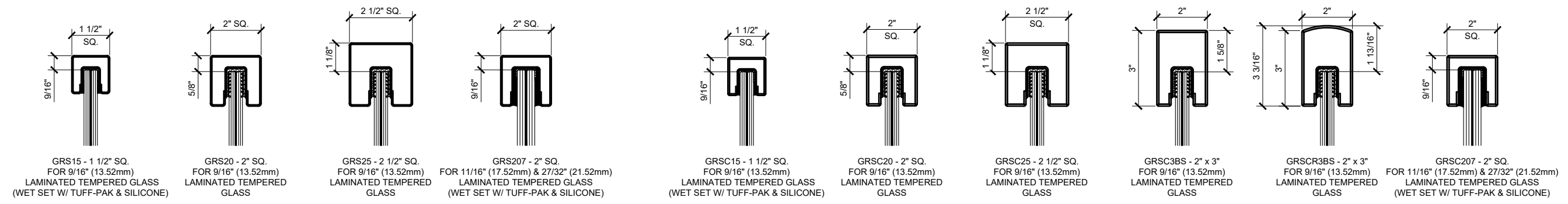
Description: **GRS**  
GLASS RAILING SYSTEM  
FOR TEMPERED LAMINATED  
9/16" (13.52mm), 1 1/16" (17.52mm),  
27/32" (21.52mm) & 1 1/8" (25.52mm)  
THK. GLASS

**CAP RAIL OPTIONS**

Drawn By: JG  
Date: 02/08/2016  
Scale: AS NOTED  
File Name:  
CRL\_GRS Laminated Glass Railing System.dwg

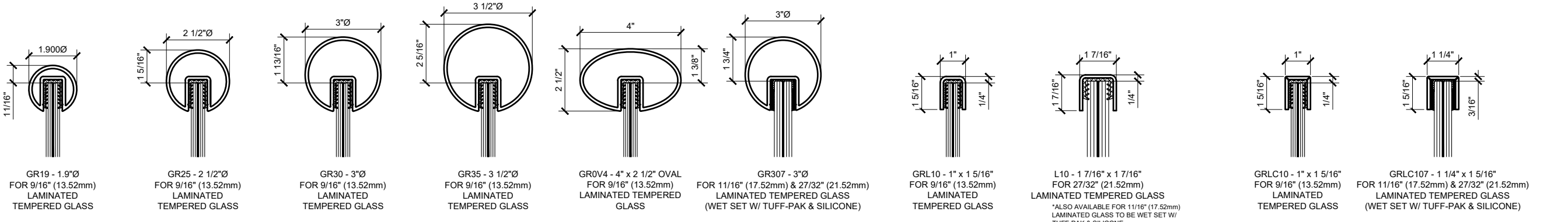


**BUMP-FORMED & WELDED PREMIUM RADIUS PROFILE CAP RAIL**



**BUMP-FORMED & WELDED PREMIUM SQUARE PROFILE CAP RAIL**

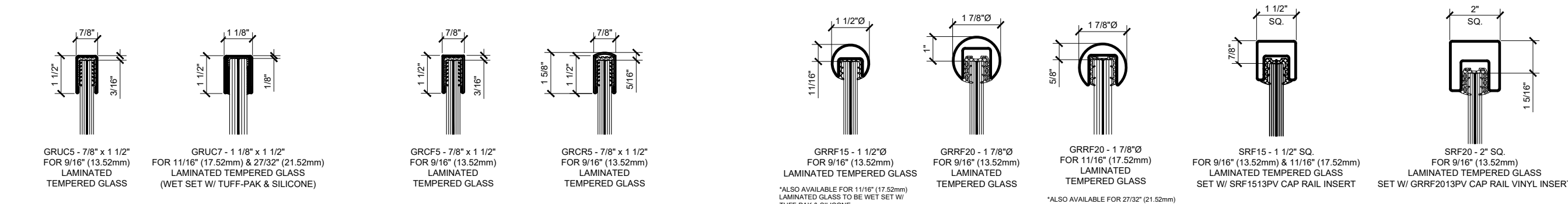
**SQUARE PROFILE CRISP CORNER CAP RAIL**



**EXTRUDED ALUMINUM CAP RAIL**

**LOW PROFILE 11 GAUGE CAP RAIL**

**LOW PROFILE 11 GAUGE CRISP CORNER CAP RAIL**



**U-CHANNEL 18 GAUGE CAP RAIL**

**U-CHANNEL 18 GAUGE CRISP CORNER CAP RAIL**

**ROLL-FORMED CAP RAIL**

Revisions By:

5	-	-
4	-	-
3	-	-
2	-	-
1	-	-

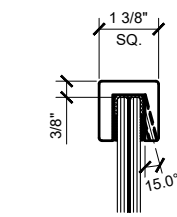
C.R. LAURENCE CO. ARCHITECTURAL PRODUCTS  
2503 E. Vernon Avenue, Los Angeles, CA 90058-1897  
PH: (800) 421-6144 FX: (800) 857-7501 WWW: crlaurence.com

ICG ESR-3842

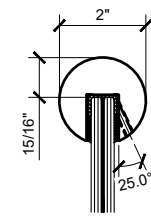
Description: GRS  
GLASS RAILING SYSTEM  
FOR TEMPERED LAMINATED  
9/16" (13.52mm), 11/16" (17.52mm),  
27/32" (21.52mm) & 1 1/16" (25.52mm)  
THK. GLASS

CAP RAIL OPTIONS

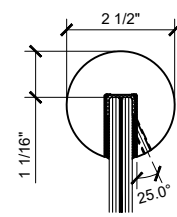
Drawn By: JG  
Date: 02/08/2016  
Scale: AS NOTED  
File Name:  
C.R. GRS Laminated Glass Railing System.dwg  
Sheet



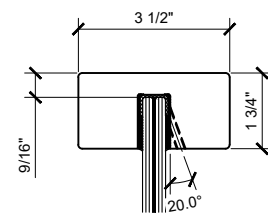
324 SERIES - 1 3/8" SQ.  
FOR 9/16" (13.52mm)  
LAMINATED TEMPERED GLASS  
(WET SET W/  
TUFF-PAK & SILICONE)



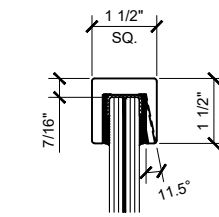
337 SERIES - 2"Ø  
FOR 9/16" (13.52mm)  
LAMINATED TEMPERED GLASS  
(WET SET W/  
TUFF-PAK & SILICONE)



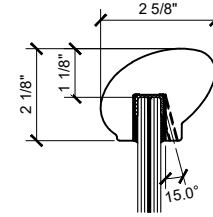
338 SERIES - 2 1/2" Ø  
FOR 9/16" (13.52mm)  
LAMINATED TEMPERED GLASS  
(WET SET W/  
TUFF-PAK & SILICONE)



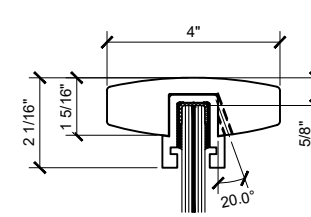
339 SERIES - 3 1/2" x 1 3/4"  
FOR 9/16" (13.52mm)  
LAMINATED TEMPERED GLASS  
(WET SET W/  
TUFF-PAK & SILICONE)



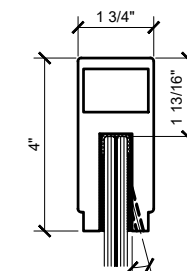
3243 SERIES - 1 1/2" SQ.  
FOR 11/16" (21.52mm)  
LAMINATED TEMPERED GLASS  
(WET SET W/  
TUFF-PAK & SILICONE)



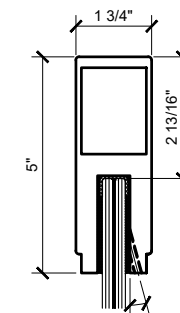
376 SERIES - ELLIPTICAL  
FOR 9/16" (13.52mm)  
LAMINATED TEMPERED GLASS  
(WET SET W/  
TUFF-PAK & SILICONE)



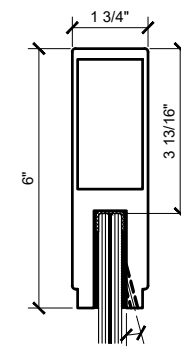
398 SERIES - 4" x 1 5/16"  
FOR 9/16" (13.52mm)  
LAMINATED TEMPERED GLASS  
(WET SET W/  
TUFF-PAK & SILICONE)



636 SERIES - 1 3/4" x 4"  
FOR 9/16" (13.52mm)  
LAMINATED GLASS  
(WET SET W/ TUFF-PAK &  
SILICONE)



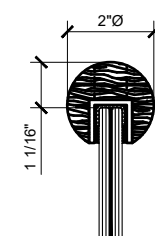
637 SERIES - 1 3/4" x 5"  
FOR 9/16" (13.52mm)  
LAMINATED GLASS  
(WET SET W/ TUFF-PAK &  
SILICONE)



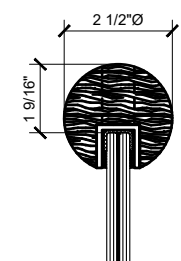
638 SERIES - 1 3/4" x 6"  
FOR 9/16" (13.52mm)  
LAMINATED GLASS  
(WET SET W/ TUFF-PAK &  
SILICONE)

BLUMCRAFT® EXTRUDED SOLID ALUMINUM CAP RAIL

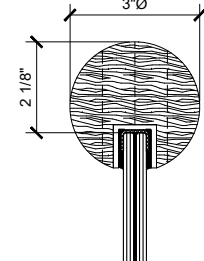
BLUMCRAFT® EXTRUDED ALUMINUM CAP RAIL



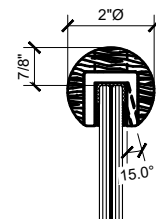
WCR20 - 2"Ø  
FOR 9/16" (13.52mm)  
LAMINATED GLASS  
(WET SET W/  
TUFF-PAK & SILICONE)



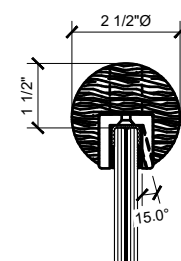
WCR25 - 2 1/2"Ø  
FOR 9/16" (13.52mm)  
LAMINATED GLASS  
(WET SET W/  
TUFF-PAK & SILICONE)



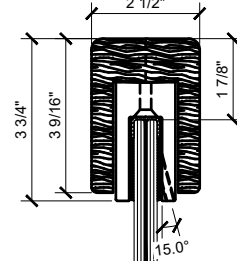
WCR30 - 3"Ø  
FOR 9/16" (13.52mm)  
LAMINATED GLASS  
(WET SET W/  
TUFF-PAK & SILICONE)



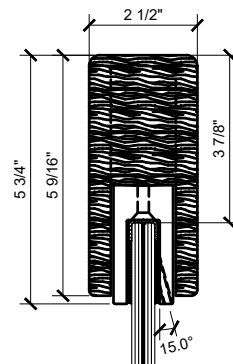
346 SERIES - 2"Ø  
FOR 9/16" (13.52mm)  
LAMINATED GLASS  
(WET SET W/ TUFF-PAK &  
SILICONE)



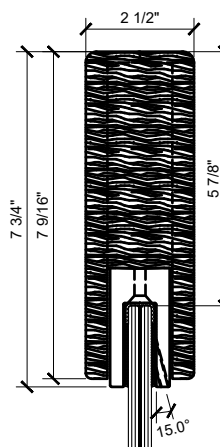
347 SERIES - 2 1/2"Ø  
FOR 9/16" (13.52mm)  
LAMINATED GLASS  
(WET SET W/ TUFF-PAK &  
SILICONE)



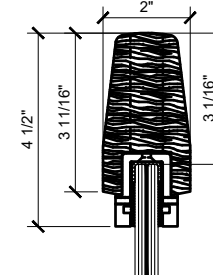
631 SERIES - 2 1/2" x 3 3/4"  
FOR 9/16" (13.52mm)  
LAMINATED GLASS  
(WET SET W/ TUFF-PAK &  
SILICONE)



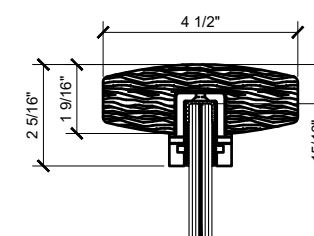
632 SERIES - 2 1/2" x 5 3/4"  
FOR 9/16" (13.52mm)  
LAMINATED GLASS  
(WET SET W/ TUFF-PAK &  
SILICONE)



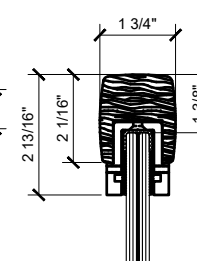
633 SERIES - 2 1/2" x 7 3/4"  
FOR 9/16" (13.52mm)  
LAMINATED GLASS  
(WET SET W/ TUFF-PAK &  
SILICONE)



372 SERIES - 2" x 4 1/2"  
FOR 9/16" (13.52mm)  
LAMINATED GLASS  
(WET SET W/ TUFF-PAK &  
SILICONE)



373 SERIES - 4 1/2" x 2 5/16"  
FOR 9/16" (13.52mm)  
LAMINATED GLASS  
(WET SET W/ TUFF-PAK &  
SILICONE)



397 SERIES - 1 3/4" x 2 13/16"  
FOR 9/16" (13.52mm)  
LAMINATED GLASS  
(WET SET W/ TUFF-PAK &  
SILICONE)

WOOD CAP RAIL

Revisions By:

5	-	-
4	-	-
3	-	-
2	-	-
1	-	-

**BLUMCRAFT**  
ALUMINUM  
C.R. LAURENCE CO. ARCHITECTURAL PRODUCTS  
2503 E. Vernon Avenue, Los Angeles, CA 90058-1897  
PH: (800) 421-6144 FX: (800) 897-7501 www.blumcraft.com

IGC  
ESR-3842

GRS  
GLASS RAILING SYSTEM  
FOR TEMPERED LAMINATED  
9/16" (13.52mm), 1 1/16" (17.52mm),  
27/32" (21.52mm) & 1 1/16" (25.52mm)  
THK. GLASS

ELEVATIONS AND DETAILS  
SURFACE MOUNT AND  
FASCIA MOUNT OPTIONS

Drawn By: JG  
Date: 02/08/2016  
Scale: AS NOTED  
File Name:

CR1\_GRS Laminated Glass Railing System.dwg

Sheet