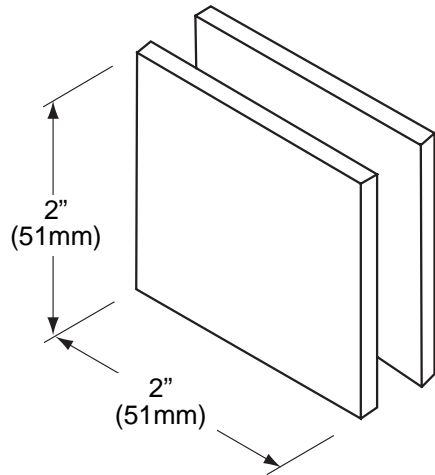
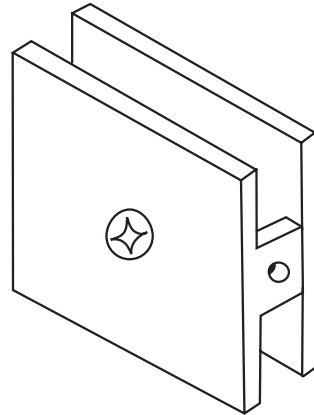




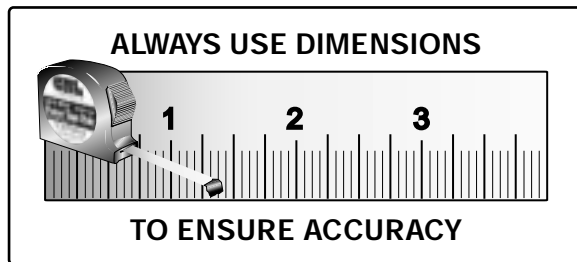
**C.R. LAURENCE CO., INC.**  
**PROFESSIONAL QUALITY**



**FRONT VIEW**



**REAR VIEW**



# HEAVY DUTY GLASS CLAMPS

Fixed Panel Square U-Clamp  
**CAT. No.SCU4**

## Specifications:

- Material:** Solid brass
- Glass Thickness Range:** 3/8"(10mm) to 1/2"(12mm)
- Hole Size Required:** 5/8"(16mm) or 3/4"(19mm)
- Includes:** Mounting screws and gaskets

## TEMPLATE

**Important:** Project measurements from the edge of the glass

## TYPICAL INSTALLATION

